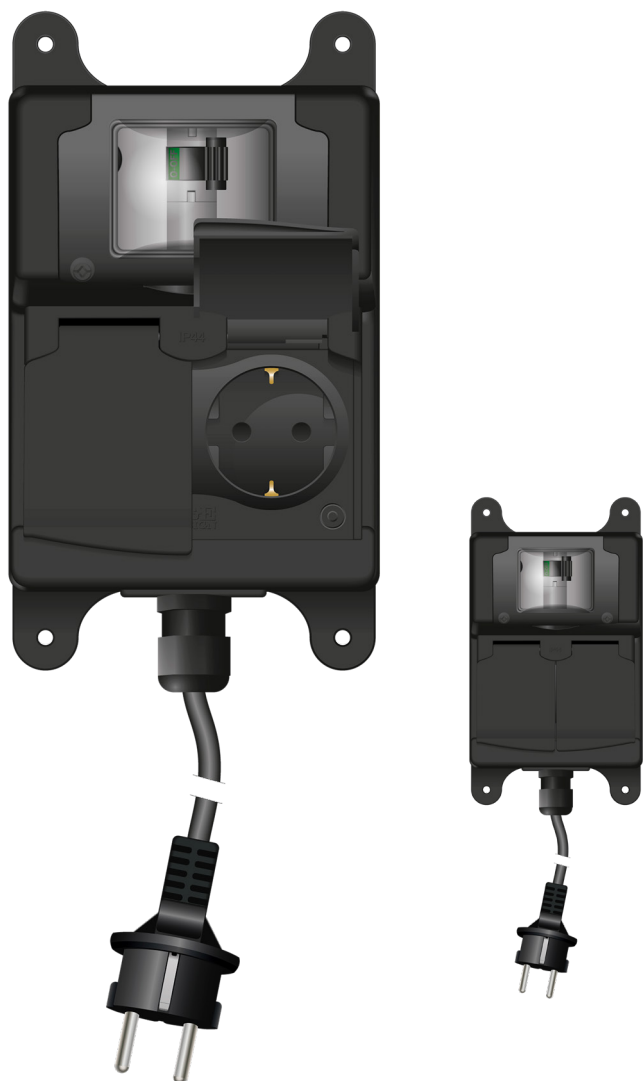


Protector SP



Protection close to yourself

Protector II SP is a easy to mount RCD protected outlet with a 10mA or 30 mA rated fault current with a 2-way cap-protected Schuko outlet for 16A / 230V. 1,4m long Cord in rubber 3x1,5sqmm with a Schuko plug. Impact resistant enclosure in PC with protection class IP 44.

The RCD is of type A, ie it has increased shock current safety and responds to alternating current and pulsating direct current.

A mounting plate back of the housing allows the BodyGuard to be easily mounted stationary on a wall, for example next to a wall outlet in the hobby room or on the patio.

The RCD, which is approved for use down to -25 degrees, has an operating rocker and test button easily accessible under a transparent spring-loaded cover.

E-nummer	EAN	A	V	I-fault	Protection class	wxhxd
18 600 35	7394438800510	16	230	10mA	IP44	111x220x95 mm
18 600 37	7394438800534	16	230	30mA	IP44	111x220x95 mm